



**KERALA AGRICULTURAL UNIVERSITY
AGRICULTURAL RESEARCH STATION
MANNUTHY – 680651. THRISSUR**

Phone: 0487-2370726, Email : arsmannuthy@kau.in

TENDER NOTICE No. B/484/2020 dated 19.02.2021

Sealed and competitive tenders are invited for the supply of “Workshop Tool Almirah, Work Bench, Work Table and Stools” as per specification (Annexure 1)

The tender documents and conditions

1. The tender form may be downloaded from the following web link in the Internet:
<http://www.kau.in/tenders>.
2. The cost of tender form is Rs. 0.20% of PAC (rounded to nearest 100/-- minimum Rs.400/- + 12 % GST. A DD for the amount drawn in favour of **The Professor and Head, Agricultural Research Station, Mannuthy, Pin-680651, Thrissur**, payable at **SBI Ollukkara (Code-70210)** should be enclosed along with the tender submitted.
3. Earnest Money Deposit (EMD)
4. EMD @ 1 % of the cost of item offered may be remitted by a separate DD drawn as detailed above.
5. Agreement on Kerala Stamp paper for Rs. 200.00
Form of agreement can be downloaded from the website <http://www.kau.in/tenders> under the Related Documents section.
6. The offer for the item should indicate separately the basic unit and its cost. Taxes, customs and excise duty, packing, forwarding and any other cost should also be included.
7. The sealed cover containing the tender documents should be superscribed **“Workshop Tool Almirah, Work Bench, Work Table and Stools”** and sent to The Professor and Head, Agricultural Research Station, Mannuthy, Pin-680651, Thrissur, Kerala.
8. Tenders received late or incomplete in any respect will be summarily rejected without notice and the decision of the undersigned on such matters will be final.
9. Successful tenderers will have to execute an agreement and remit security deposit @ 5% of the value of the articles ordered, less the amount of EMD, drawn as DD or fixed deposit receipt.
10. The supplier should give the details of the nearest center and response time.
11. Details of warranty, after sale service offered on expiry of normal warranty period, available should be mentioned.

12. The undersigned reserves the authority to accept or reject any or all the tenders without assigning any reason.
13. The decision of the undersigned in finalizing the tenders shall be final and binding.
14. Leaflets/brochures/catalogues of the materials describing its features, applications, specifications etc. should be provided along with tender.
15. Tenders will be received up to 12.30 PM on 27.02.2021
16. Tenders will be opened at 2.30 PM on 27.02.2021 in the presence of the tenderers who present at that time.
17. The supplier should supply the item in this station.
18. All conditions of Kerala government tenders are applicable in this case also. Further information can be had from the web site <http://www.kau.in/tenders> or from the office of the Professor and Head, Agricultural Research Station, Mannuthy, Pin-680651, Thrissur.

Sd/-

PROFESSOR & HEAD

**KERALA STATE AGRICULTURAL MECHANISATION MISSION
AGRICULTURAL RESEARCH STATION, MANNUTHY**

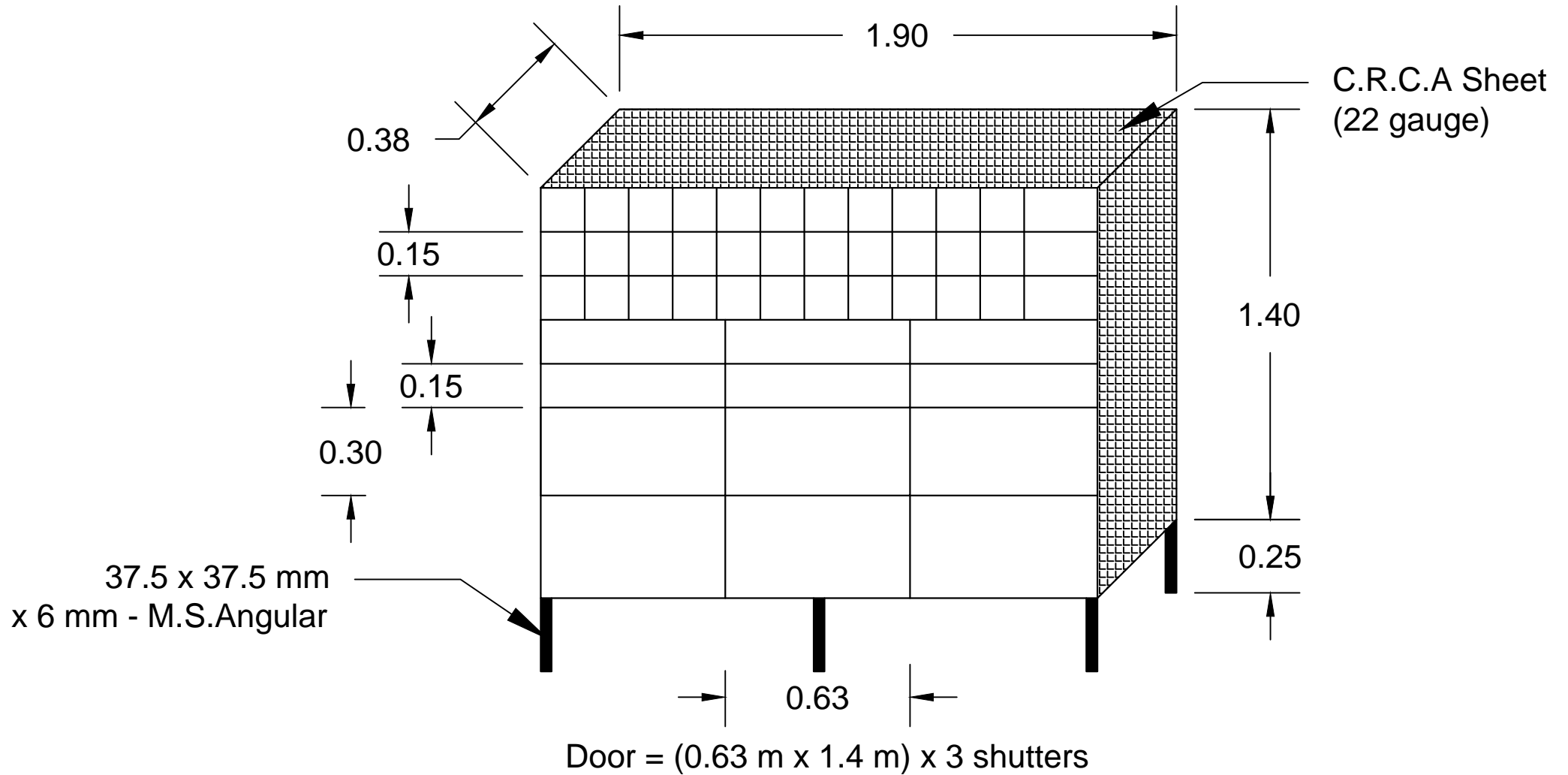
Annexure 1

Sl. No	Item	Specification	Quantity
1.	Steel Almirah (Work shop tool Almirah)	Tool rack made of 22 gauge CRCA sheet with size of 1400mm H x 1900mm L x 380mm W with 3 doors (with lock & key), with 36 square box cavities of size 150mm H x 150mm W x 380mm D and 6 rectangular box cavities of 150mm L x 630mm W x 380mm D and 6 rectangle box of 30mm H x 630 mm W x 380 mm D, mounted on 6 Legs (37.5 x 37.5 mm M.S. Angular) with 250 mm height (As per drawing attached – Appendix 1)	4
2.	Work bench (Workshop)	Metallic work bench, Overall dimensions - 875 mm height, 1800 mm length, 750 mm width with MS plate 5mm thickness on top of 50mm x 50mm x 6mm M.S Angle iron pillars - 6 nos (As per drawing attached – Appendix 2)	4
3.	Work Table (Workshop)	Overall dimensions - 875 mm height, 1800 mm length, 750 mm width with top and bottom open shelf with 3 mm MS sheet, bottom shelf fixed 400mm below, mounted on angle iron(50mm x 50mm x 6mm M.S. Angle) pillars - 6 nos (As per drawing attached – Appendix 3)	4
4.	Stools (Steel) (Workshop)	Max. height – 900 mm, CRCA sheet- 2mm, Leg- 25 mm x 25mm square tube (18 gauge) Top 300mm x 300mm (As per drawing attached – Appendix 4)	5

Sd/-
Professor & Head

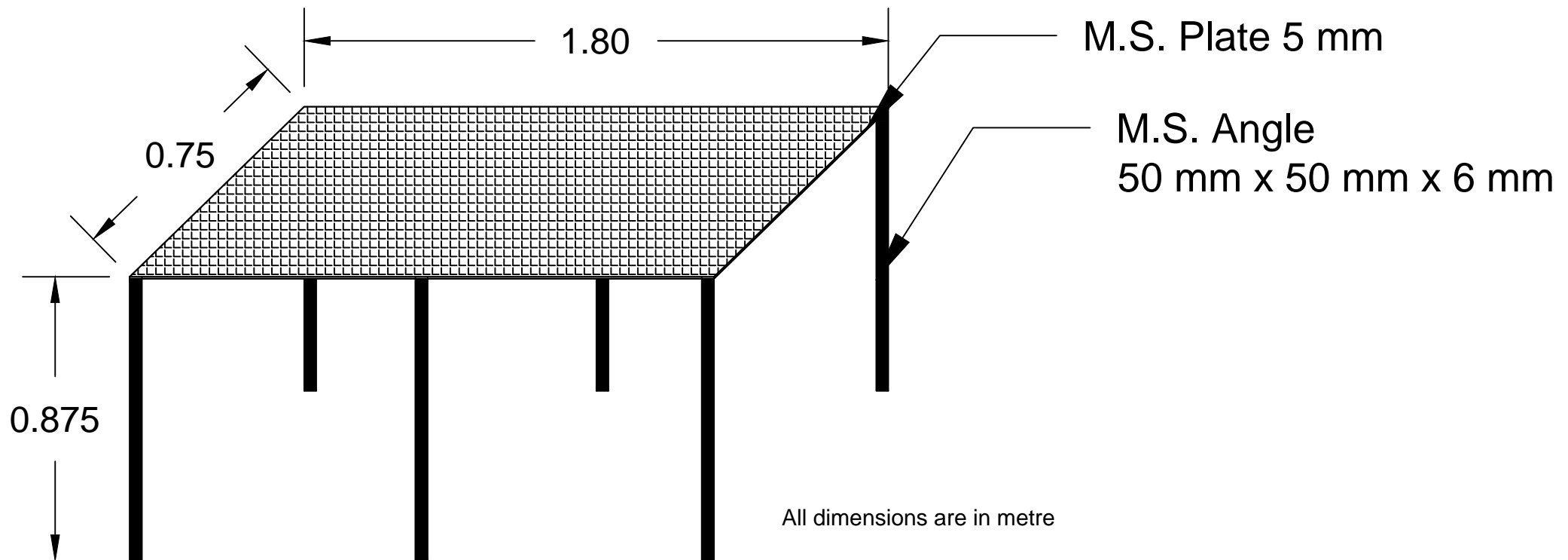
Kerala State Agricultural Mechanization Mission (KSAMM)

Drawing Layout for Steel Almirah

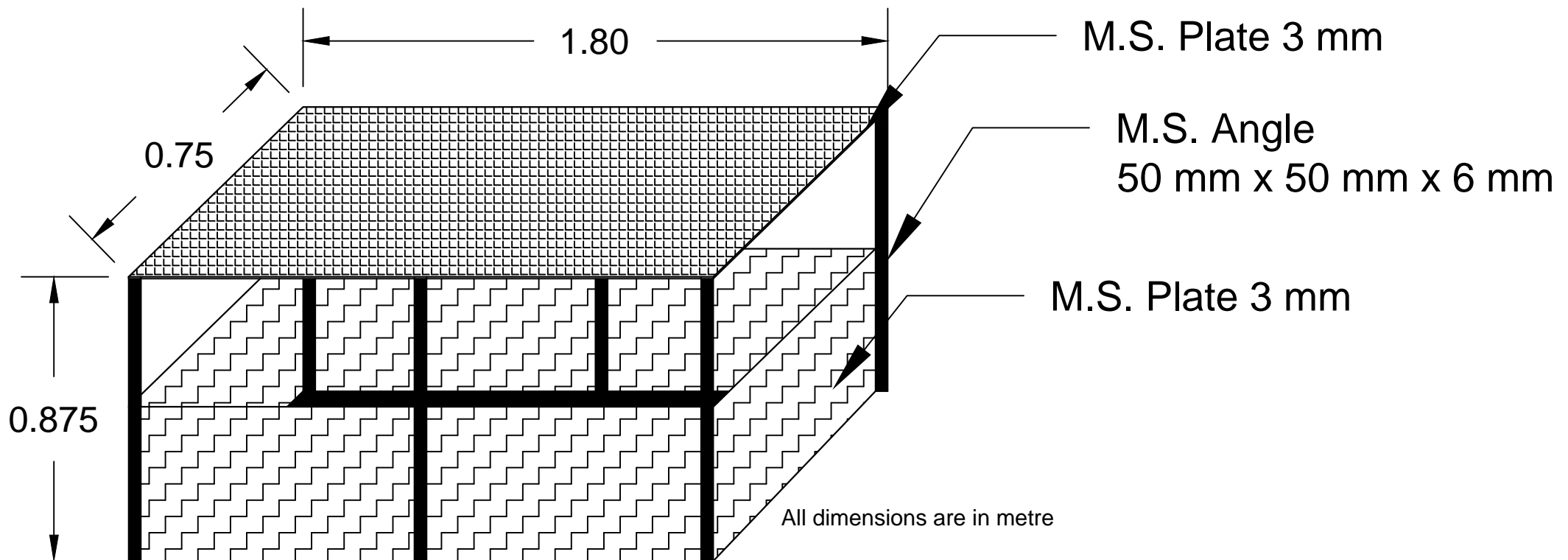


All dimensions are in metre

Kerala State Agricultural Mechanization Mission (KSAMM)
Drawing Layout for Work Bench (Workshop)



Kerala State Agricultural Mechanization Mission (KSAMM)
Drawing Layout for Work Table (Workshop)



Drawing Layout for Stool (Workshop)

